

SUPPORT INFORMATION

Access



ZK Teco QR - Reader Connection.

This document summarises how to connect a ZK Teco QR500 ACT 365

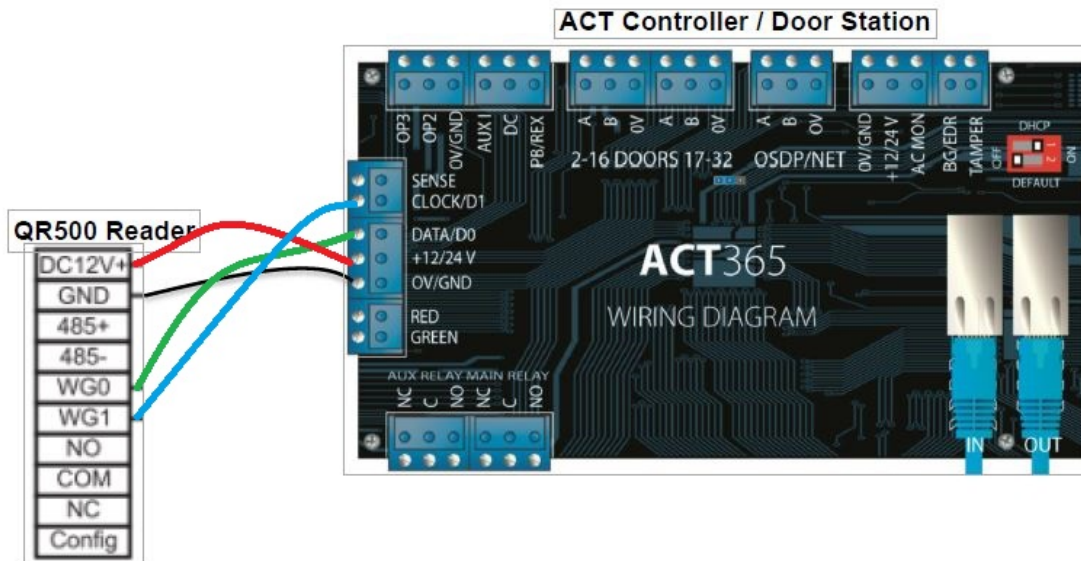
Notes

- This is a Wiegand reader connection
- There is no LED control option on the reader
- The instructions included in this guide were written around and tested with, ZKteco QR500 and ACT365 ACU
- Card Reading is not supported by Vanderbilt in the QR500

SUPPORT INFORMATION

1. Connection to ACT 365 ACU

The device connects to an ACT365-ACU as shown below.



2. Back Image of QR 500 and Connector explanations



From left to right (based on the image above):

DC(+12V)	GND	485+	485-	WG0	WG1	NO	COM	NC	Config
Power	Ground	RS485 Interface		WG Interface		Normally Open	Public	Normally closed	Configuration interface

QR 500 Reader	ACT365 ACU Controller
WG0	Data/D0
WG1	Clock/D1
GND	0V
DC(+12V)	+12/24 V

3.Ensure the Wiegand Format is enabled – ACT365

In the **Customer Portal** navigate to **Settings>Card Formats**.

In here you will see all currently defined card formats. Ensure that ZK Teco Wiegand 34 is set to Active. this is predefined for all customers using ACT365

Card Format List

Actions

<input type="checkbox"/>	Name	Format Type	Total no. of Bits	Card Number Length	User Editable	Site Code	Is Active	Settings
<input type="checkbox"/>	HID 26-bit Wiegand	Wiegand	26	16	✗	0	✓	⚙️
<input type="checkbox"/>	Vanderbilt 34-bit Wiegand	Wiegand	34	20	✗	0	✓	⚙️
<input type="checkbox"/>	HID 34-bit Wiegand	Wiegand	34	16	✗	0	✓	⚙️
<input type="checkbox"/>	HID 35-bit Wiegand	Wiegand	35	16	✗	0	✓	⚙️
<input type="checkbox"/>	HID 37-bit Wiegand	Wiegand	37	19	✗	0	✓	⚙️
<input type="checkbox"/>	ZK Teco Wiegand 34 Format	Wiegand	34	32	✗	0	✓	⚙️

15 Items per page 1 - 6 of 6 items

Total number of bits = 34
 Card number = 2->33
 No Parity bits defined

SUPPORT INFORMATION

4. Generating QR Codes in ACT365

1. In the Customer Portal navigate to Access Control>Cardholders.
2. Select a cardholder and enter their details page
3. (1)Ensure the email address Field is populated with a valid email, (2) fill in required cardholder validity period details and (3)enter in a card number in the available field. (4)click save
4. Ensure Cardholder Group details are correct so a visitor is not granted to unwanted doors.
5. Click Email Virtual Card button labeled (5) "Send Email"

NB: if all parametres are not complete, the send virtual card option will not complete.

The screenshot displays the ACT365 Cardholder Management interface. The interface is divided into several sections:

- Cardholder (2349992):** Fields for Firstname (Paul), Lastname (McCarthy), Mobile Phone No., PIN (with a RANDOM button), and Email (paulmccarthy70@gmail.com). The email field is circled in red and labeled '1'.
- Cards:** A list of cards with Card Number fields. The first card's number (123456) is circled in red and labeled '3'. A SAVE button is circled in red and labeled '4'.
- Cardholder Group:** Fields for Site (All Sites) and Group Name (Full Access). An ADD GROUP button is visible.
- Cardholder Validity Details:** Fields for Valid From (5/1/2020 12:00 AM) and Valid To (1/27/2021 12:00 AM). The Valid From field is circled in red and labeled '2'. An Email Virtual Card button labeled SEND EMAIL is circled in green and labeled '5'.
- Options:** A list of checkboxes for Toggle Relay, Extend Relay, Arm/Disarm, Lockdown, Lockdown Clear, and Lockdown Bypass.

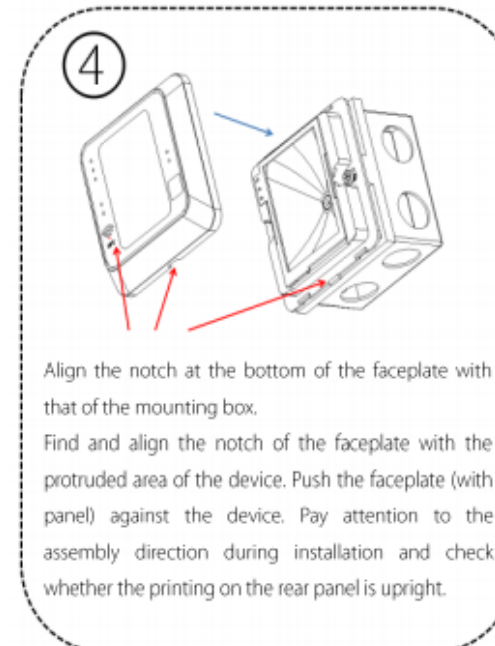
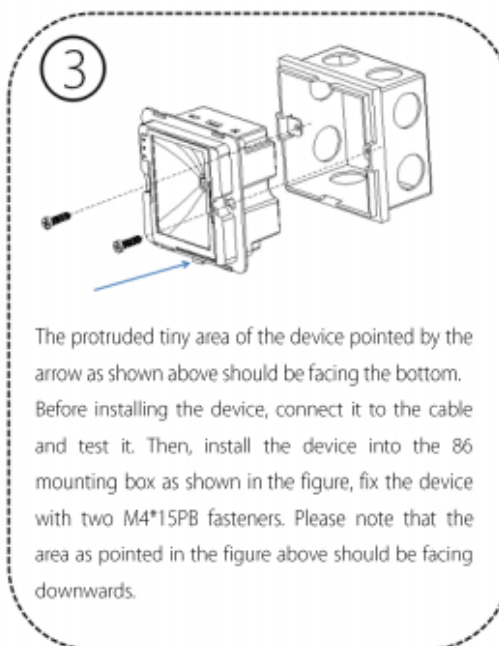
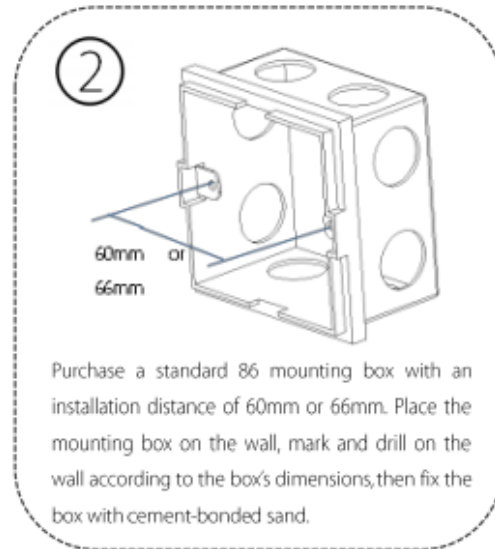
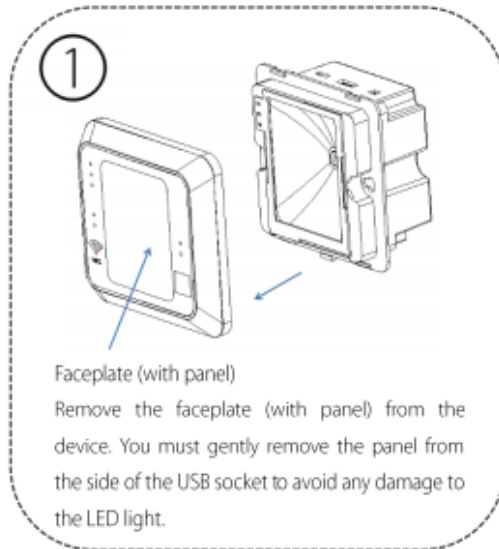
5. Restrictions on QR code Generation in ACT365

The QR code generated in ACT365 uses the Card Number listed at point 3 in the image above.

A virtual Card Number must be generated in the number range:
1000 to 4294967295

NB: A 3 digit number will not be read by the QR500 and ACT365 eg: 999

6. Mounting instructions



SUPPORT INFORMATION



If you have any questions, please contact our Technical Competence Centre.
Contact details can be found on our website.

VANDERBILT

vanderbiltindustries.com

[@VanderbiltInd](#) [Vanderbilt Industries](#)

Vanderbilt International GmbH

Borsigstrasse 34
65205 Wiesbaden
Germany